

Tail Calls

```
(defn (sum n acc)
  (if (= n 0)
      acc
      (sum (+ n -1) (+ acc n))))
```

```
fun_start_sum:
  push rbp
  mov rbp, rsp
  sub rsp, 8*3
fun_body_sum:
  mov rax, [rbp - 8*-2]
  mov [rbp - 8*1], rax
  mov rax, 0
  cmp rax, [rbp - 8*1]
  mov rax, 1
  jne eq_exit_2
  mov rax, 3
eq_exit_2:
  cmp rax, 1
  je label_else_2
  mov rax, [rbp - 8*-3]
  jmp label_exit_2
label_else_2:
  mov rax, [rbp - 8*-2]
  mov [rbp - 8*1], rax
  mov rax, -2
  add rax, [rbp - 8*1]
  mov [rbp - 8*1], rax
  mov rax, [rbp - 8*-3]
  mov [rbp - 8*2], rax
  mov rax, [rbp - 8*-2]
  add rax, [rbp - 8*2]
```

Call

```
push rax
mov rcx, [rbp - 8*1]
push rcx
call fun_start_sum
add rsp, 8*2
mov [rbp + 24], rax
mov rcx, [rbp - 8*1]
mov [rbp + 16], rcx
jmp fun_body_sum
```

Tail Call

```
label_exit_2:
  mov rsp, rbp
  pop rbp
  ret
```

Tail Calls

```
(defn (sum n acc)
  (if (= n 0)
      acc
      (sum (+ n -1) (+ acc n))))

(sum input 0)
```

```
(defn (fac n acc)
  (if (= n 0)
      acc
      (if (= n 2)
          (* 2 (fac (+ n -1) (* acc n)))
          (fac (+ n -1) (* acc n))
        )
    )
  )
)
```

Which e can have tail call?

```
e ::= n
    | true
    | false
    | input
    | x
    | (add1 e)
    | (let (x e1) e2)
    | (+ e1 e2)
    | (= e1 e2)
    | (if e1 e2 e3)
    | (set x e)
    | (block e1...en)
    | (loop e)
    | (break e)
    | (print e)
    | (call1 e)
    | (call2 e1 e2)
```

Which calls are “tail-calls”?

```
fn compile_expr(e: &Expr, env: &Stack, sp: usize, count: &mut i32, tr: bool, ...) -> String {
  match e {
    Add1(subexpr) => compile_expr(subexpr, env, sp, count, brk,          , f) + ...,
    Plus(e1, e2) => {
      let e1_code = compile_expr(e1, env, sp, count, brk,          , f);
      let e2_code = compile_expr(e2, env, sp + 1, count, brk,      , f);
      ...
    }
    Eq(e1, e2) => {
      let e1_code = compile_expr(e1, env, sp, count, brk,          , f);
      let e2_code = compile_expr(e2, env, sp + 1, count, brk,      , f);
      ...
    }
    Let(x, e1, e2) => {
      let e1_code = compile_expr(e1, env, sp, count, brk,          , f);
      let e2_code = compile_expr(e2, &newenv, sp+1, count, brk,    , f);
      ...
    }
    If(cnd, thn, els) => {
      ...
      let cnd_code = compile_expr(cnd, env, sp, count, brk,          , f);
      let thn_code = compile_expr(thn, env, sp, count, brk,          , f);
      let els_code = compile_expr(els, env, sp, count, brk,          , f);
      ...
    }
    Set(x, e) => {
      let e_code = compile_expr(e, env, sp, count, brk,          , f);
      ...
    }
    Block(es) => {
      let n = es.len();
      let e_codes: Vec<String> = es.iter().enumerate()
        .map(|(i, e)| compile_expr(e, env, sp, count, brk,          , f))
        .collect();
      ...
    }
    Expr::Loop(e) => {
      ...
      let e_code = compile_expr(e, env, sp, count, &loop_exit,    , f);
      ...
    }
    Break(e) => {
      let e_code = compile_expr(e, env, sp, count, brk,          , f);
      ...
    }
    Print(e) => {
      let e_code = compile_expr(e, env, sp, count, brk,          , f);
      ...
    }
    Call2(f, e1, e2) => {
      let e1_code = compile_expr(e1, env, sp, count, brk,          , f);
      let e2_code = compile_expr(e2, env, sp + 1, count, brk,      , f);
      ...
    }
  }
}
```

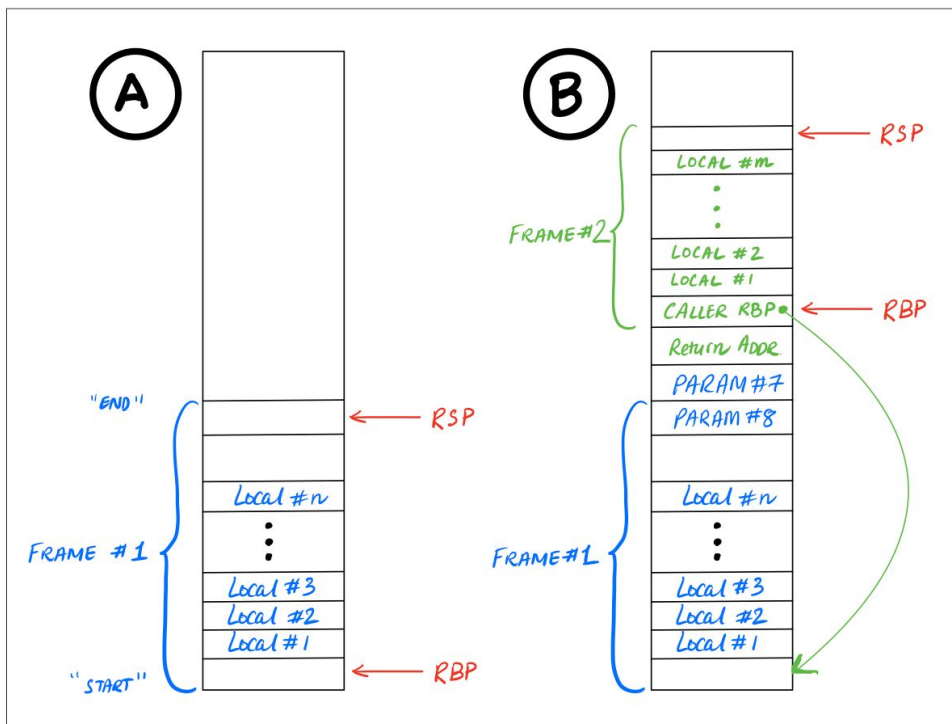
Calls: How much space for a stack frame?

```
fn compile_def_body(args: &[String], sp: usize, body: &Expr, count: &mut i32) -> String
{
    let fun_entry = compile_entry(body, sp);
    let body_code = compile_expr(body, &init_env(args), sp, count, "time_to_exit");
    let fun_exit = compile_exit();

    format!("{fun_entry}
            {body_code}
            {fun_exit}")
}

fn compile_entry(e: &Expr, sp: usize) -> String {
    let vars = expr_vars(e) + sp;
    format!("push rbp
            mov rbp, rsp
            sub rsp, 8*{vars}")
}

fn compile_exit() -> String {
    format!("mov rsp, rbp
            pop rbp
            ret")
}
```



Calls: How much space for a stack frame?

```
fn expr_vars(e: &Expr) -> usize {
  match e {
    Expr::Num(_) | Expr::Var(_) | Expr::Input | Expr::True | Expr::False
      =>

    Expr::Add1(e) | Expr::Sub1(e) | Expr::Neg(e) | Expr::Set(_, e)
    | Expr::Loop(e) | Expr::Break(e) | Expr::Print(e) | Expr::Call1(_, e)
      =>

    Expr::Call2(_, e1, e2) | Expr::Let(_, e1, e2)
    | Expr::Eq(e1, e2) | Expr::Plus(e1, e2)
      =>

    Expr::If(e1, e2, e3)
      =>

    Expr::Block(es)
      =>

  }
}
```

```
expr := ... | (vec <expr> <expr>) | nil
        | (vec-get <expr> 0) | (vec-get <expr> 1)
```

```
(defn (head l) (vec-get l 0))

(defn (tail l) (vec-get l 1))

(defn (inc xs)
  (if (= xs nil)
      nil
      (vec (+ (head l) 1) (inc (tail l)))))

(inc (vec 10 (vec 20 nil)))
```

```
(defn (sum lst)
  (let (total 0)
    (loop
      (if (= lst nil) (break total)
          (block
             (set! total (+ total (head lst)))
             (set! lst (tail lst))))))

  (sum (vec 1 (vec 2 (vec 3 nil)))))
```

```
use std::env;
#[link(name = "our_code")]
extern "C" {
  #[link_name = "\x01our_code_starts_here"]

  fn our_code_starts_here(input : i64 ) -> i64;
}

#[no_mangle]
#[export_name = "\x01snek_print"]
fn snek_print(val : i64) -> i64 {
  if val == 3 { println!("true"); }
  else if val == 1 { println!("false"); }

  else if val % 2 == 0 { println!("{}", val >> 1); }

  else {
    println!("Unknown value: {}", val);
  }
  return val;
}

fn parse_arg(v : &Vec<String>) -> i64 {
  if v.len() < 2 { return 1 }
  let s = &v[1];
  if s == "true" { 3 }
  else if s == "false" { 1 }
  else { s.parse::<i64>().unwrap() << 1 }
}

fn main() {
  let args: Vec<String> = env::args().collect();
  let input = parse_arg(&args);

  let i : i64 = unsafe { our_code_starts_here(input, buffer) };

  snek_print(i);
}
```

```
enum Expr {
  ...
  Vec(Box<Expr>, Box<Expr>),
  Nil,
  Get(Box<Expr>, usize)
}
```